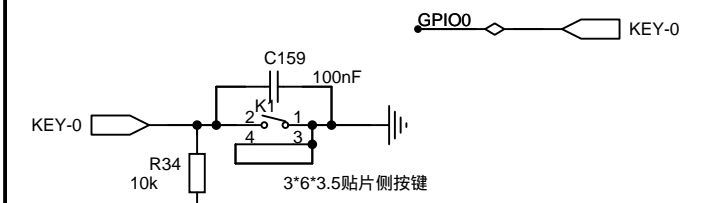


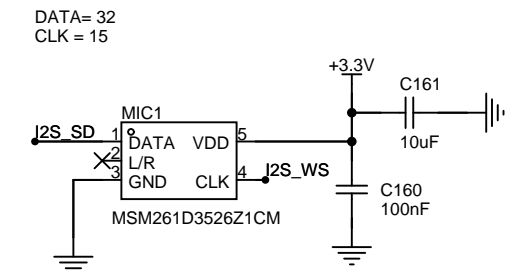
# BUTTON\_1



key0: The default (built-in) action is

1. Short press: switch on/off and
2. Long press for 2s: select a random color.
3. Press and hold it for more than 6 seconds, the Wi-Fi settings will be reset to default settings.
4. Press and hold for more than 12 seconds, the flash memory will be cleared.

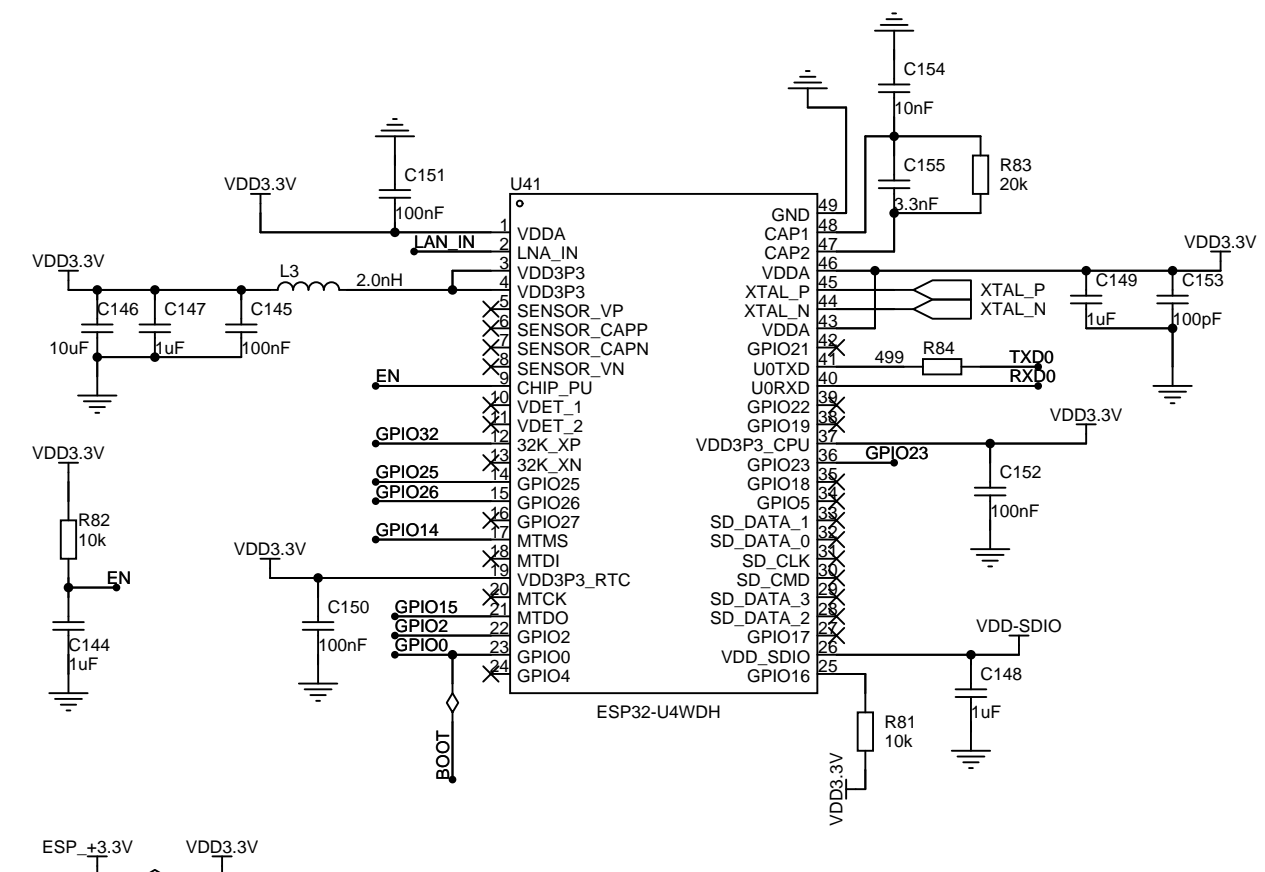
# Microphone



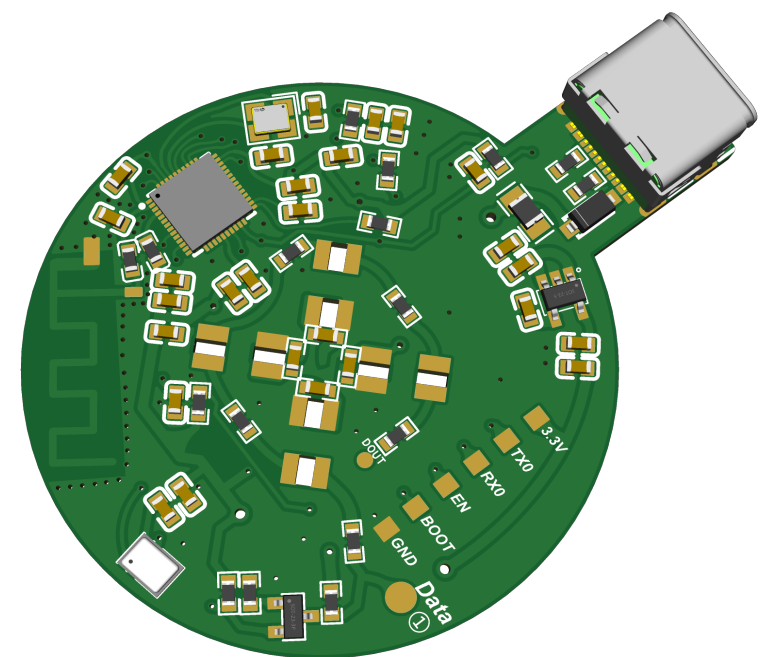
DATA = 32  
CLK = 15

GPIO32 -> I2S\_SD  
GPIO15 -> I2S\_WS

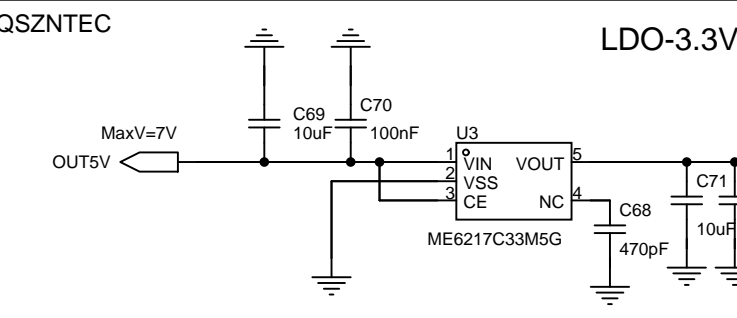
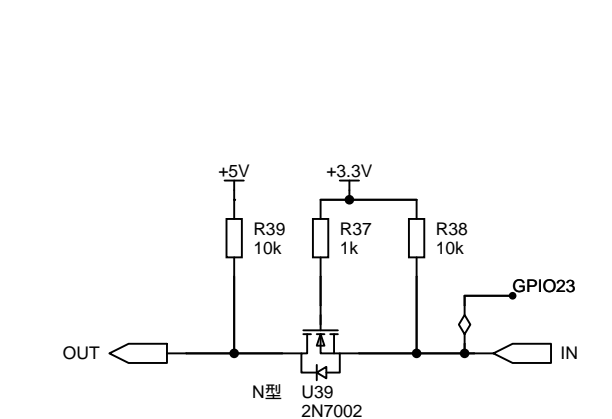
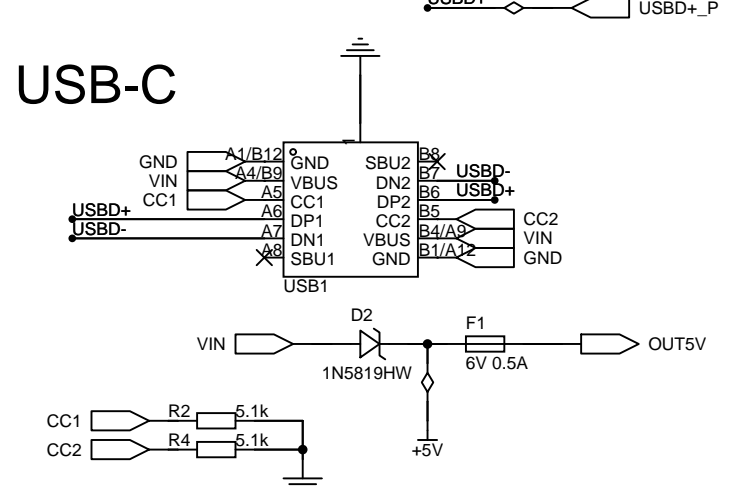
# PCB Thickness 1mm



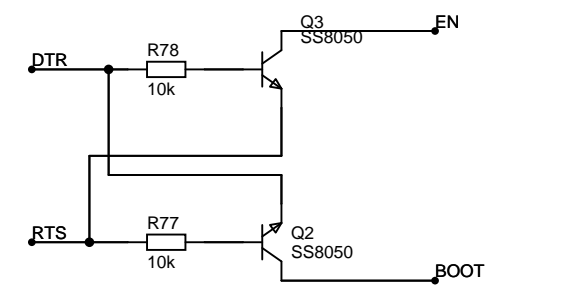
# ESP32-U4WDH



# Increase height Type-C

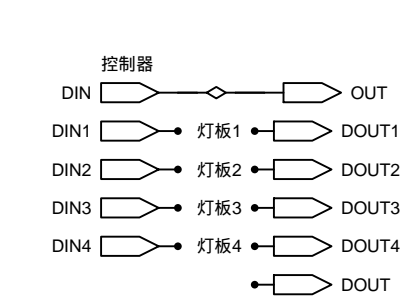


# UART

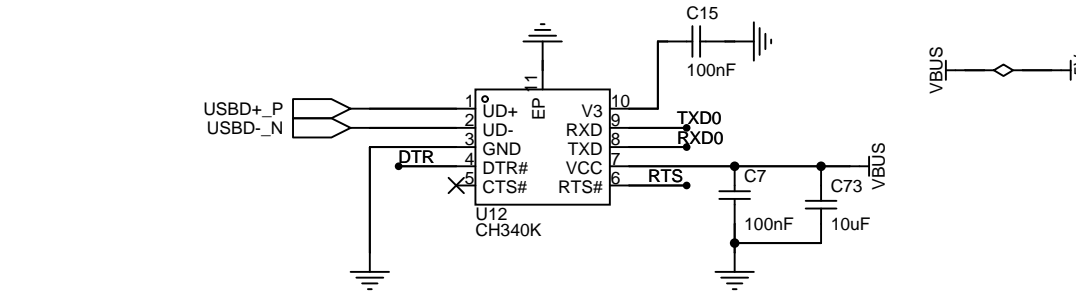
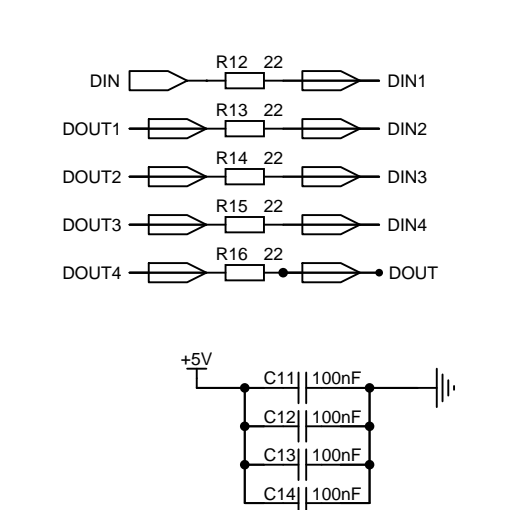


Automatic download circuit

# Structural diagram



# Series wiring (64 lights)



# CH340K-Serial

