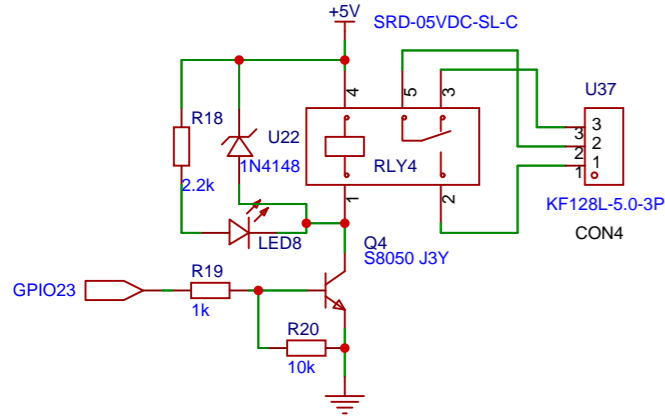
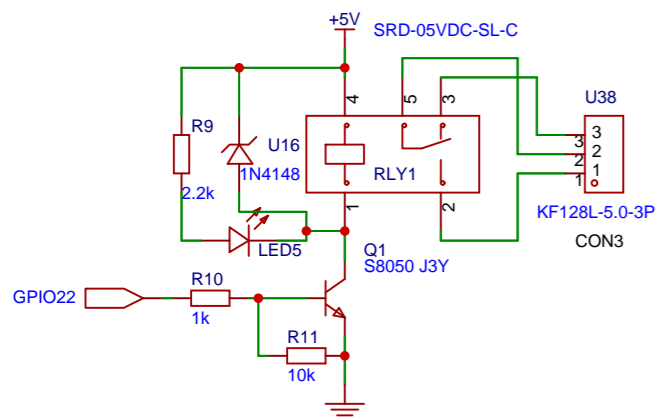
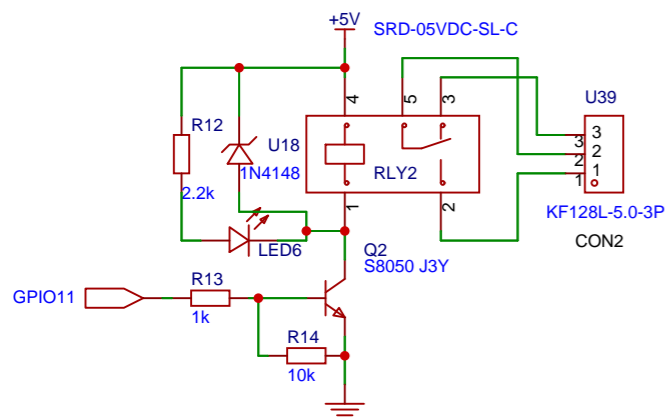
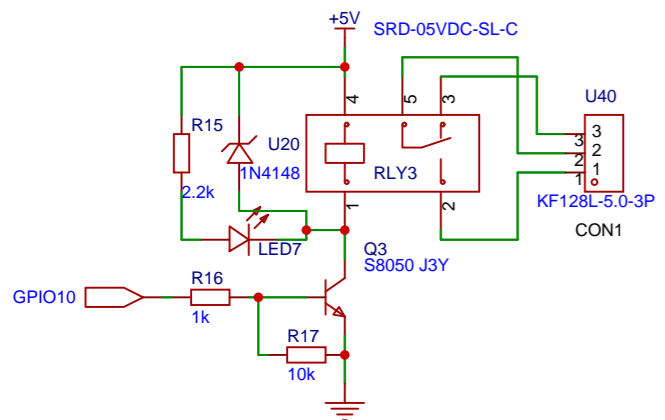
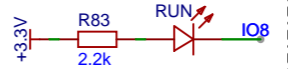


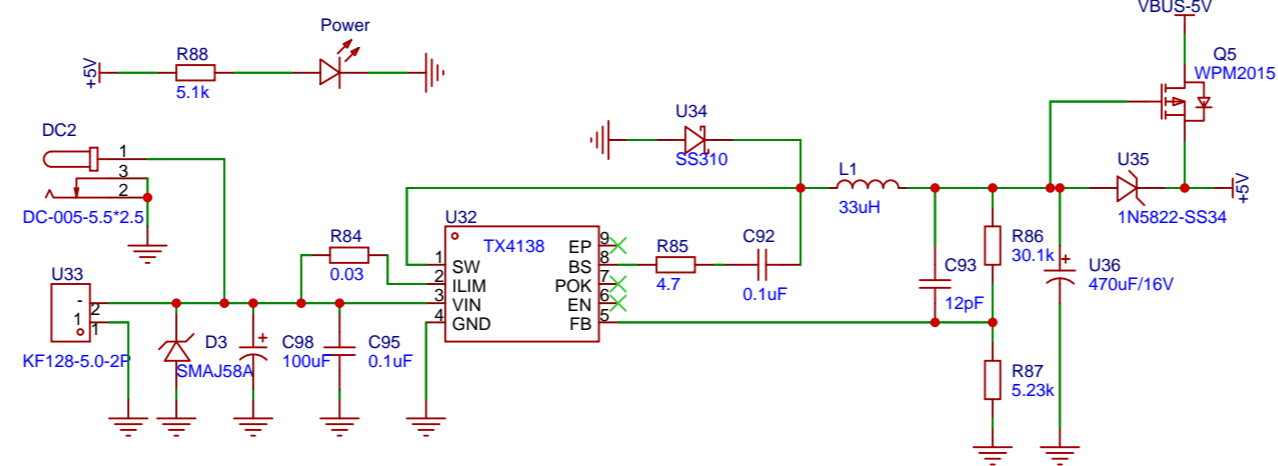
Relays



User LED

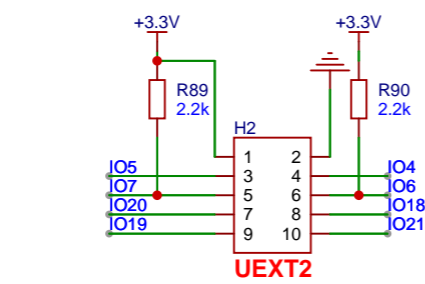


Power Supply

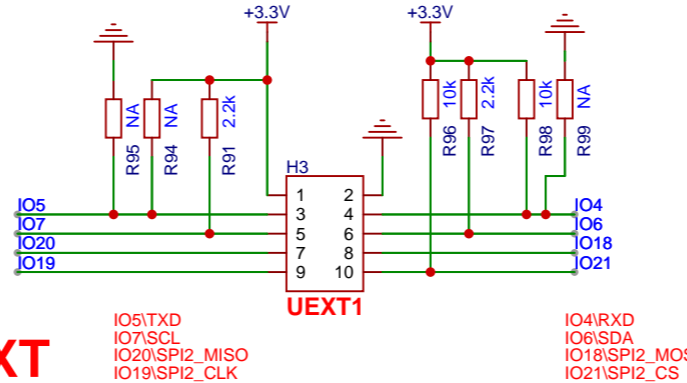


ILIM: Programmable maximum peak current pin by induction of current through one
The resistance between the pin and the VIN is precisely detected

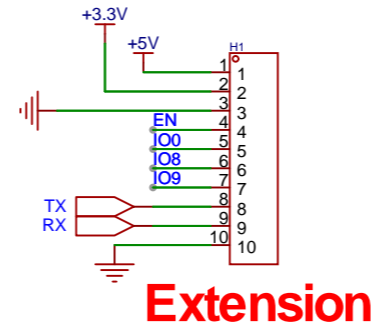
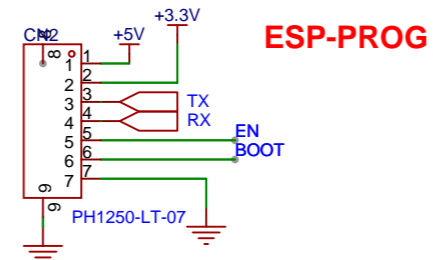
DC-DC
INPUT: 8-50V DC
OUTPUT: 5V DC
OUTMaxA:4A



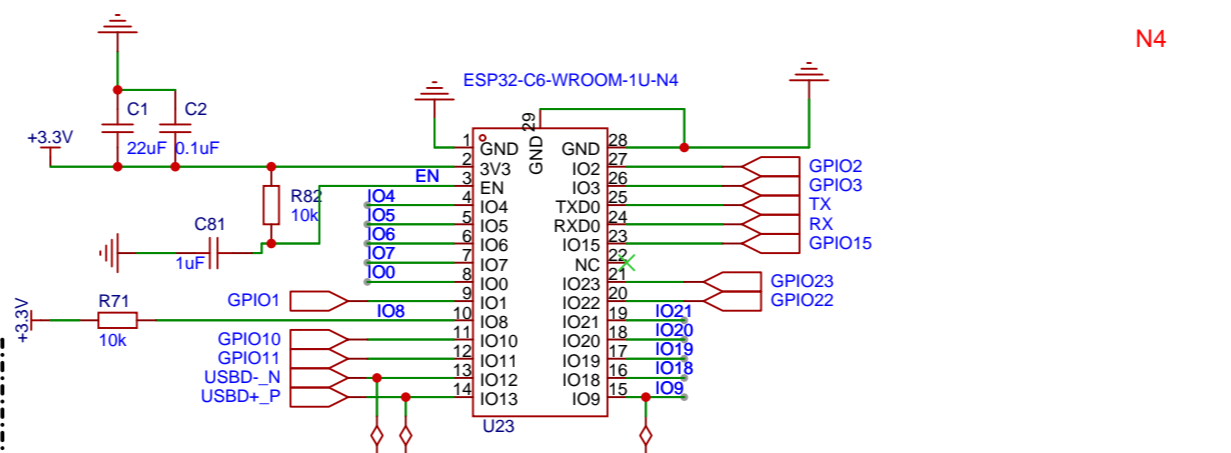
UEXT



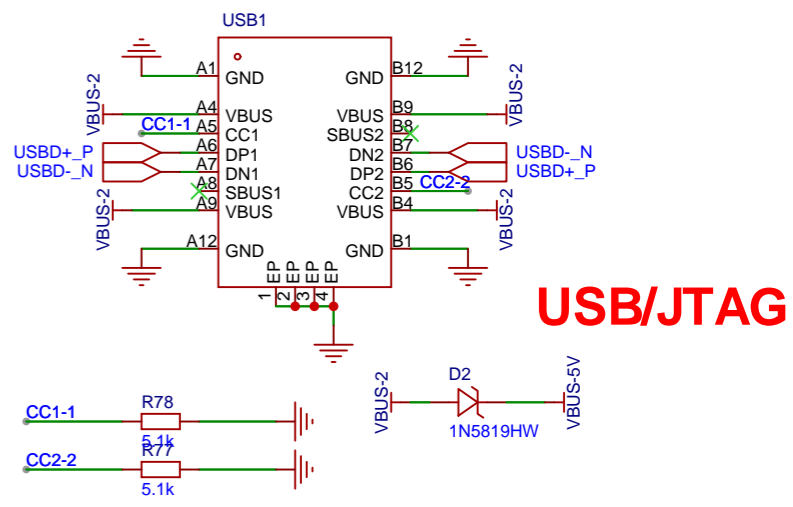
Programming



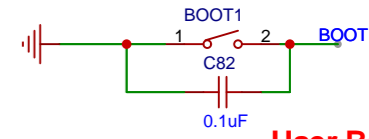
ESP32-C6-WROOM-1



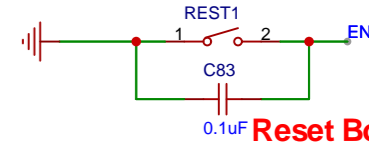
USB/JTAG



User Button

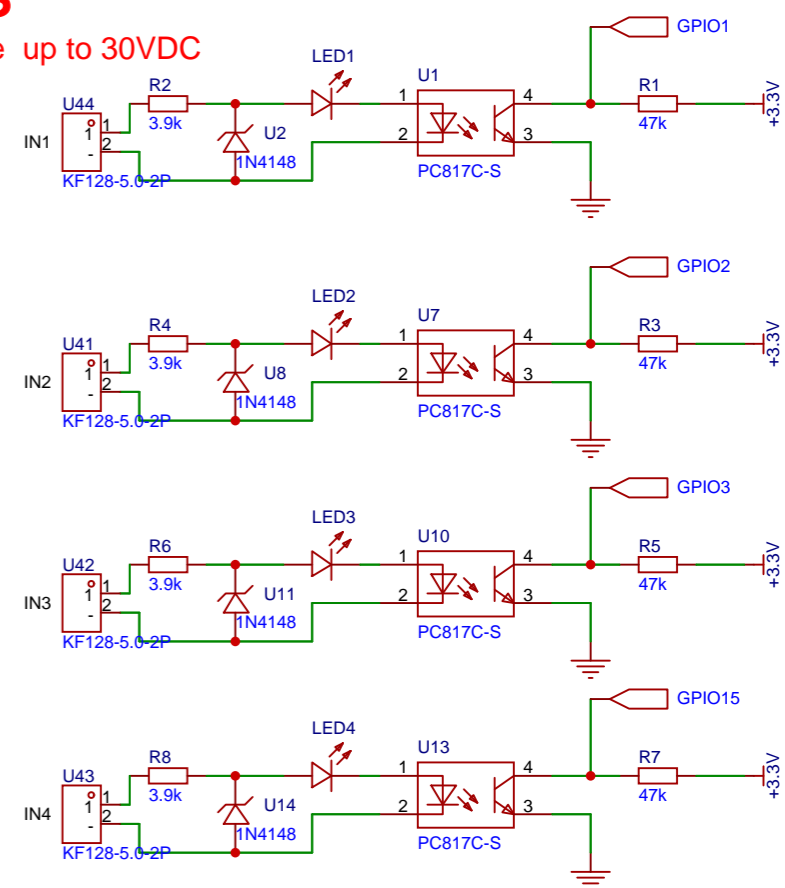


Reset Button



INPUTS

Input Voltage up to 30VDC



原理图	Schematic1		更新日期	2024-06-18
图页	P1		创建日期	2024-05-17
绘制			物料编码	
审阅			ESP32-C6-PLC-V	
		版本	尺寸	页 1 共 1
		V1.6	A4	ICBBUY.COM